

Thermal Servers

Features

Thermal Servers

- An appealing, easy-to-use self-service coffee system.
- Convenient for keeping coffee hot and fresh for hours.
- Easily transported to remote locations.
- Depending on base, server can hold up to 6½" (16.5 cm) cup.



Thermal Server

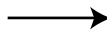
(cup not included)

Dimensions: 19.6" H x 7.9" W x 8.7" D
(49.8cm H x 20.1cm W x 22.1cm D)

For current specification sheets and other information, go to www.bunn.com.

Related Products

Shown with optional
Safety-Fresh® Lid
Order Lid Kit No.
22964.0000



Thermal Server Raised
Product No. : 23300.0009

Flavor ID Display Clip
Product No. : 18008.7000



TS-Thermal Server with no base
Product No. : 23300.0010



Thermal Server Booster*
Product No. : 18010.6000

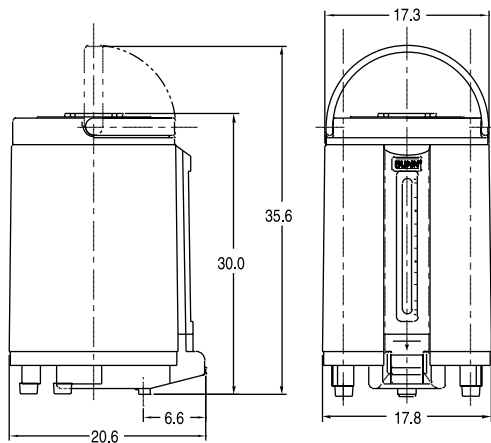


*To be used in conjunction with Thermal
Server without base.
Product No. : 23300.0010 & 23300.0006

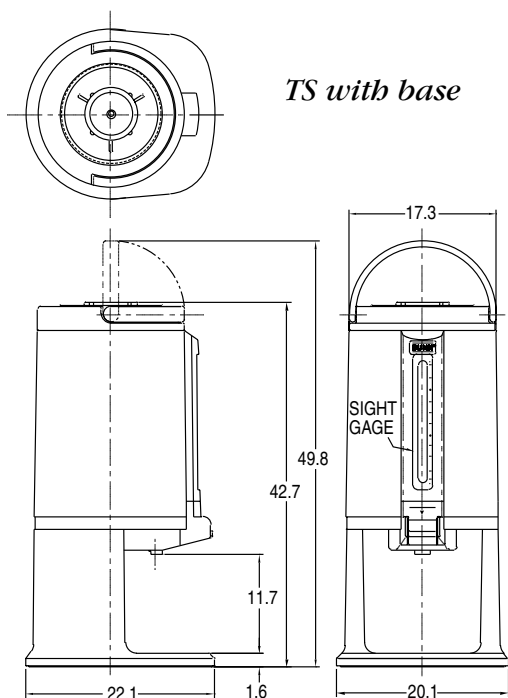
Dimensions & Specifications

Model	Product #	Capacity	Quantity	Cubic Measure	Shipping Weight
TS	23300.0007	2.5 liters (84 oz.)	single unit	.9 ft ³ (.03 m ³)	6 lbs. (2.7 kg)
TS	23300.0005	2.5 liters (84 oz.)	6/case	4.7 ft ³ (.13 m ³)	33 lbs. (15 kg)
TSR (Raised)	23300.0009	2.5 liters (84 oz.)	single unit	1.0 ft ³ (.028 m ³)	6 lbs. (2.7 kg)
TS (no base)	23300.0010	2.5 liters (84 oz.)	single unit	.6 ft ³ (.017 m ³)	4 lbs. (1.8 kg)
TS (no base)	23300.0006	2.5 liters (84 oz.)	6/case	2.9 ft ³ (.082 m ³)	25 lbs. (11.3 kg)
BUNN Safety-Fresh Lid (Kit)	22964.0000	—	single unit	.1 ft ³ (.003 m ³)	1 lb. (.5 kg)

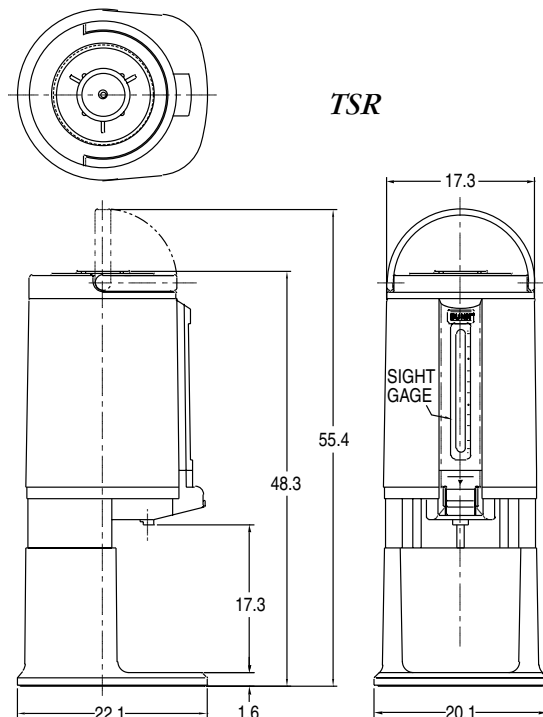
TS with no base



TS with base



TSR



Bunn-O-Matic® Corporation - 1400 Stevenson Drive Springfield, Illinois 62703 • USA • +1-217-529-6601 • Fax +1-217-529-2827 • www.bunn.com

BUNN® practices continuous product research and improvement. We reserve the right to change specifications and product design without notice. Such revisions do not entitle the buyer to corresponding changes, improvements, additions or replacements for previously purchased equipment.

All dimensions shown in centimeters. Bunn-O-Matic Corporation owns all copyrights relating to materials in this publication. Please contact BUNN to request permission to reproduce any portion of this publication.