

## TF Digital Servers w/Countdown Timer

### Features

#### BUNN ThermoFresh® Digital Servers

##### *Incremental timer allows precise monitoring of holding period*

- Four-hour digital indicator displays in 1-minute increments.
- Volume indicator displays how much coffee is left inside the server.
- Digital sight gauge operates on four AAA batteries with an average 1-year lifespan. Display shows low battery symbol when replacement is needed.
- Vacuum insulated to keep coffee hot for hours.
- Contemporary styling and wrap program for maximum merchandising.
- Built-in drip tray attached to the server for transportation—easily removed for cleaning.
- Large cup clearance allows for dispensing into cups, decanters and thermal carafes.
- Fast flow faucet.
- Innovative faucet design.
- Brew-through lid.
- Ideal for use with Single or Dual TF DBC Brewers.



**1 Gallon and 1.5 Gallon  
TF Digital Servers with  
Countdown Timer**

Dimensions (1 gal): 21.1" H x 9.3" W x 13.1" D  
(53.6cm H x 23.6cm W x 33.3cm D)

Dimensions (1.5 gal): 23.1" H x 9.3" W x 13.1" D  
(58.7cm H x 23.6cm W x 33.3cm D)



For current specification sheets and other information, go to [www.bunn.com](http://www.bunn.com).

### Related Products

#### Dual TF DBC

Product No.: 34600.6000



(servers sold separately)

#### Single TF DBC

Product No.: 34800.6000



(server sold separately)

#### TF Server Handle (orange)

Product No.: 39081.0001



#### Brewer/Server Compatibility

Brewer	1.5 Gal TF w/base	1 Gal TF w/base
ICB	No	No
ICB Twin	No	No
ICB (tall)	Yes	Yes
ICB Twin (tall)	Yes	Yes
ITCB	No	No
ITCB (tall)	Yes	Yes
Single TF	Yes	Yes
Dual TF	Yes	Yes

#### Model

TF Server

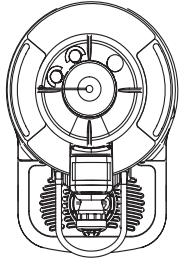
#### Agency Listing



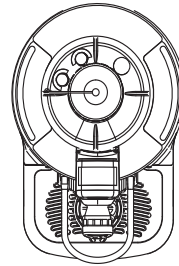
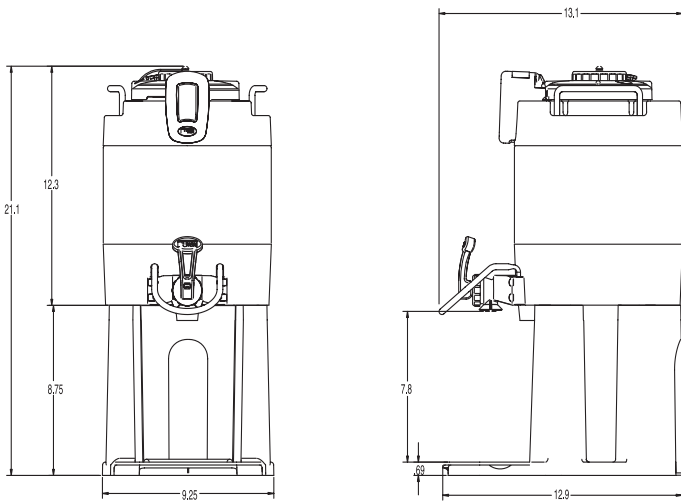
# Dimensions & Specifications



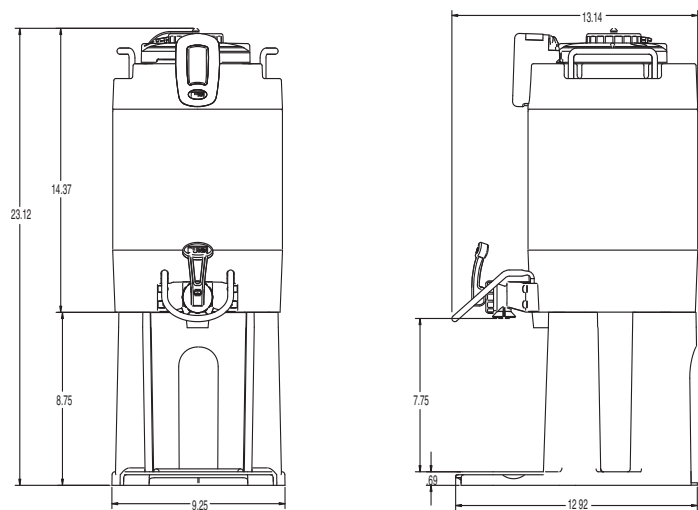
Model	Product #	Volts	Amps	Total Watts	Capacity gal/liter	Cubic ft <sup>3</sup> /m <sup>3</sup>	Weight lbs / kg	Cord Attached
TF Server, 1 Gal digital (with base)	39500.0100	n/a	n/a	n/a	1 / 3.8	2.8 / .08	13 / 5.9	No
TF Server, 1.5 Gal digital (with base)	39550.0100	n/a	n/a	n/a	1.5 / 5.68	2.8 / .08	14 / 6.26	No



1 Gal TF Digital Server



1.5 Gal TF Digital Server



Bunn-O-Matic Corporation of Canada - 280 Industrial Pkwy. S. Aurora, Ontario L4G 3T9 • 905-841-2866 • Fax 905-841-2775 • www.bunn.com

BUNN® practices continuous product research and improvement. We reserve the right to change specifications and product design without notice. Such revisions do not entitle the buyer to corresponding changes, improvements, additions or replacements for previously purchased equipment.

All dimensions shown in inches. Bunn Corporation owns all copyrights relating to materials in this publication. Please contact Bunn Corporation to request permission to reproduce any portion of this publication.