

BUNN®

TD4, TD4T ICED TEA/COFFEE DISPENSERS

USE & CARE INSTRUCTIONS

INTRODUCTION

These dispensers are designed to hold and serve up to 4-gallons of iced tea or iced coffee.

WARRANTY

Bunn-O-Matic Corp. ("Bunn") warrants the equipment manufactured by it to be commercially free from defects in material and workmanship existing at the time of manufacture and appearing within one year from the date of installation. This warranty does not apply to any equipment, component or part that was not manufactured by Bunn or that, in Bunn's judgement, has been affected by misuse, neglect, alteration, improper installation or operation, improper maintenance or repair, damage or casualty.

THE FOREGOING WARRANTY IS EXCLUSIVE AND IS IN LIEU OF ANY OTHER WARRANTY, WRITTEN OR ORAL, EXPRESS OR IMPLIED, INCLUDING, BUT NOT LIMITED TO, ANY IMPLIED WARRANTY OF EITHER MERCHANTABILITY OR FITNESS FOR A PARTICULAR PURPOSE. The agents, dealers or employees of Bunn are not authorized to make modifications to this warranty or to make additional warranties that are binding on Bunn. Accordingly, statements by such individuals, whether oral or written, do not constitute warranties and should not be relied upon.

The Buyer shall give Bunn prompt notice of any claim to be made under this warranty by telephone at (217) 529-6601 or by writing to Post Office Box 3227, Springfield, Illinois, 62708-3227. If requested by Bunn, the Buyer shall ship the defective equipment prepaid to an authorized Bunn service location. If Bunn determines, in its sole discretion, that the equipment does not conform to the warranty, Bunn shall repair the equipment with no charge for parts during the one year warranty period and no charge for labor by a Bunn Authorized Service Representative during the one year warranty period. If Bunn determines that repair is not feasible, Bunn shall, at its sole option, replace the equipment or refund the purchase price for the equipment.

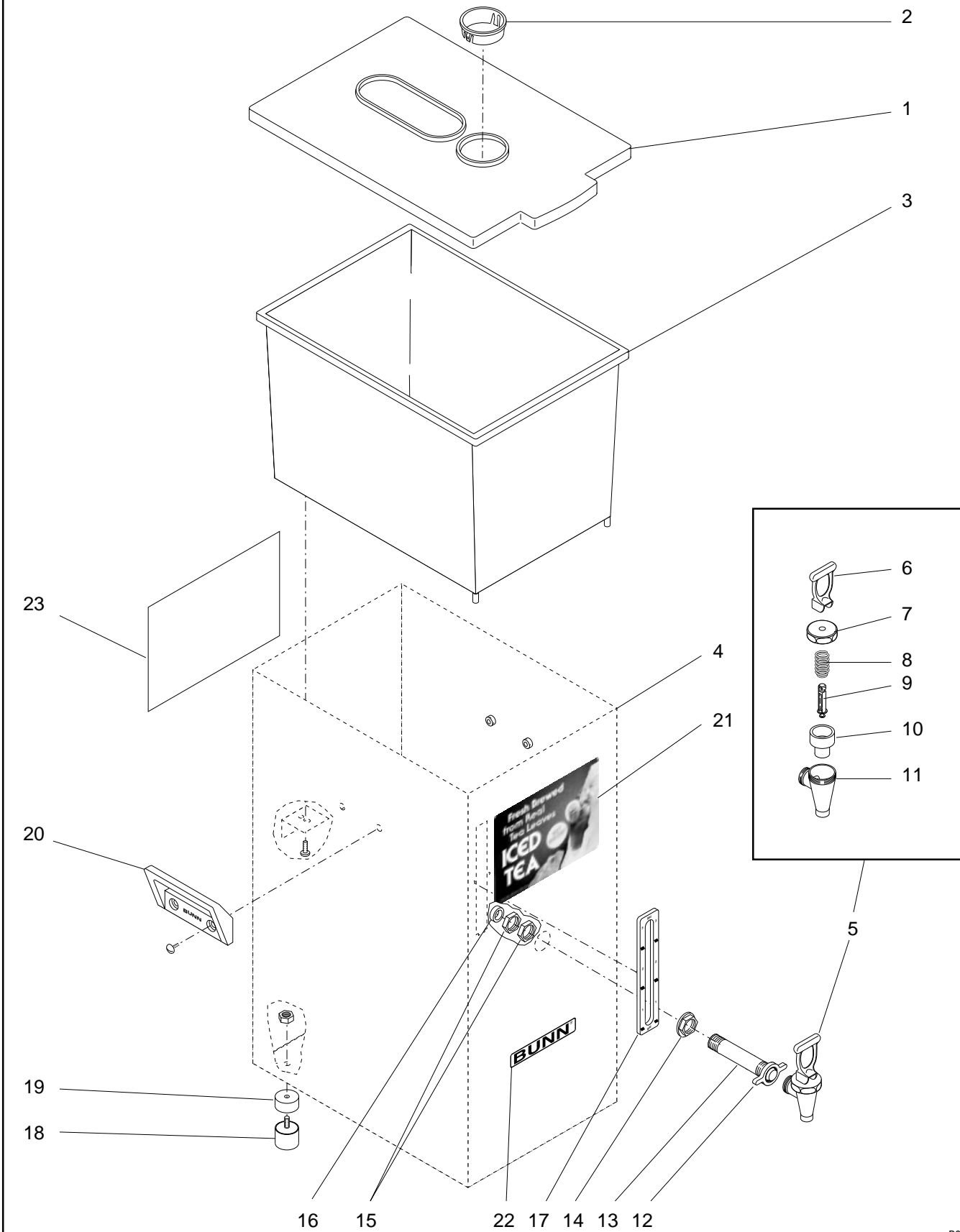
THE BUYER'S REMEDY AGAINST BUNN FOR THE BREACH OF ANY OBLIGATION ARISING OUT OF THE SALE OF THIS EQUIPMENT, WHETHER DERIVED FROM WARRANTY OR OTHERWISE, SHALL BE LIMITED, AS SPECIFIED HEREIN, TO REPAIR OR, AT BUNN'S SOLE OPTION, REPLACEMENT OR REFUND. Bunn shall not be liable for any other damage or loss, including, but not limited to, lost profits, lost sales, loss of use of equipment, claims of Buyer's customers, cost of capital, cost of down time, cost of substitute equipment, facilities or services, or any other special, incidental or consequential damages.

BUNN-O-MATIC CORPORATION

POST OFFICE BOX 3227

SPRINGFIELD, ILLINOIS 62708-3227

TELEPHONE: (217) 529-6601 FAX: (217) 529-6644



ICED TEA/COFFEE DISPENSER REPLACEMENT PARTS

ITEM	PART NO.	QTY.	DESCRIPTION
1	03255.0000	1	Lid, Reservoir (Solid)(Includes Decal Not illustrated)
	00778.0000	1	Decal, BUNN (Not illustrated)
	03255.0002	1	Lid, Reservoir (Brew-thru)(Includes item 2)
2	03285.0002	1	Bushing, Lid
3	03078.1002	1	Reservoir
	01364.0000	2	Screw, pan head #6 x .312"(self-tapping)
4	-----	1	Housing (Not available)
5	03260.0000	1	Faucet Assy, Brown (Includes items 6 thru 11)
	03260.0001	1	Faucet Assy, Black (Includes items 6 thru 11)
6	29163.0000	1	Faucet Handle, Brown
	29163.0001	1	Faucet Handle, Black
7	29165.0000	1	Faucet Bonnet, Brown
	29165.0001	1	Faucet Bonnet, Black
8	00601.0000	1	Faucet Spring
9	29164.0000	1	Faucet Stem
10	00600.0000	1	Faucet Cup
11	-----	1	Faucet Body (Not available order item 5)
12	03093.0000	1	Faucet Wing Nut, Brown
	03093.0002	1	Faucet Wing Nut, Black
13	03362.0002	1	Faucet Shank, Brown
	03362.0004	1	Faucet Shank, Black
14	03092.0000	1	Nut, flanged - Brown
	03092.0001	1	Nut, flanged - Black
15	00958.0000	2	Nut, hex brass .50"-14 NPSM
16	03099.0000	1	Gasket
17	03754.0000	1	Gauge, Sight W/Markings - Brown
	03754.0002	1	Gauge, Sight W/Markings - Black
18	00754.0001	4	Foot/Locator
	23700.0000	4	Nut, Keps .25"-20 x .312"
19	00752.0000	4	Cover
20	03710.0000	2	Handle, Brown
	03710.0002	2	Handle, Black
	02325.0000	4	Screw, pan head .25"-20 x .312"
21	03043.0002	1	Decal, Fresh Brewed Iced Tea
	21412.0000	1	Decal, Fresh Brewed Iced Coffee
22	00651.0000	1	Decal, BUNN
23	27294.0000	1	Decal, Reservoir Cleaning
24	03362.1002	-	Faucet Shank Kit, Brown (Not illustrated, Includes items 12 thru 16)
	03362.1002	-	Faucet Shank Kit, Black (Not illustrated, Includes items 12 thru 16)
25	00674.0000	1	Brush, cleaning (Not illustrated)
26	29166.0000	1	Faucet Repair Kit, Brown (Includes items 6, 8, 9 & 10)
	29166.0000	1	Faucet Repair Kit, Black (Includes items 6, 8, 9 & 10)

CLEANING

CAUTION - CLEAN AND SANITIZE YOUR ICED TEA/COFFEE DISPENSER DAILY

1. Twist the faucet wing nut(12) in a clockwise direction and remove the faucet(5) from the dispenser.
2. Thoroughly clean the entire inside surface of the dispenser and the faucet shank(13) using the #00674.0000 brush using a mild detergent and water solution. Rinse the dispenser and shank with warm water.
3. Disassemble the faucet(5). The faucet cleaning procedure requires a 3-compartment sink. Thoroughly wash all faucet parts in a mild detergent and water solution in the first sink. Rinse the parts in hot water in the second sink. Sanitize the parts for one minute in 75° warm chlorine solution (at least 50 ppm) in the third sink. Reassemble the faucet and attach it to the dispenser.
4. Sanitize all exposed surfaces of the dispenser with a 75° warm chlorine solution (at least 100 ppm). Empty the dispenser and thoroughly rinse everything.
5. Wash the entire outside surface of the dispenser with a clean damp cloth.

CAUTION - DO NOT KEEP BREWED ICED TEA OR ICED COFFEE OVERNIGHT.