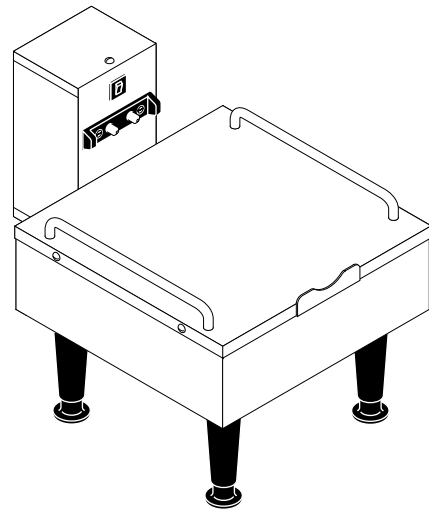
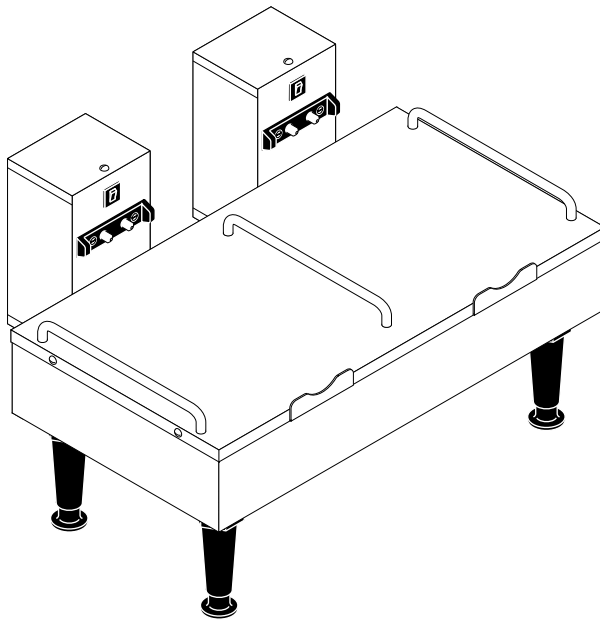


BUNN®

1SH & 2SH STAND



ILLUSTRATED PARTS CATALOG

Designs, materials, weights, specifications, and dimensions for equipment or replacement parts are subject to change without notice.

BUNN-O-MATIC CORPORATION

POST OFFICE BOX 3227

SPRINGFIELD, ILLINOIS 62708-3227

PHONE: (217) 529-6601 FAX: (217) 529-6644

WARRANTY

Bunn-O-Matic Corp. ("Bunn") warrants the equipment manufactured by it to be commercially free from defects in material and workmanship existing at the time of manufacture and appearing within one year from the date of installation. In addition:

1.) Bunn warrants electronic circuit and/or control boards to be commercially free from defects in material and workmanship for two years from the date of installation.

2.) Bunn warrants the compressor on refrigeration equipment to be commercially free from defects in material and workmanship for two years from the date of installation.

3.) Bunn warrants that the grinding burrs on coffee grinding equipment will grind coffee to meet original factory screen sieve analysis for three years from date of installation or for 30,000 pounds of coffee, whichever comes first.

This warranty does not apply to any equipment, component or part that was not manufactured by Bunn or that, in Bunn's judgement, has been affected by misuse, neglect, alteration, improper installation or operation, improper maintenance or repair, damage or casualty.

THE FOREGOING WARRANTY IS EXCLUSIVE AND IS IN LIEU OF ANY OTHER WARRANTY, WRITTEN OR ORAL, EXPRESS OR IMPLIED, INCLUDING, BUT NOT LIMITED TO, ANY IMPLIED WARRANTY OF EITHER MERCHANTABILITY OR FITNESS FOR A PARTICULAR PURPOSE. The agents, dealers or employees of Bunn are not authorized to make modifications to this warranty or to make additional warranties that are binding on Bunn. Accordingly, statements by such individuals, whether oral or written, do not constitute warranties and should not be relied upon.

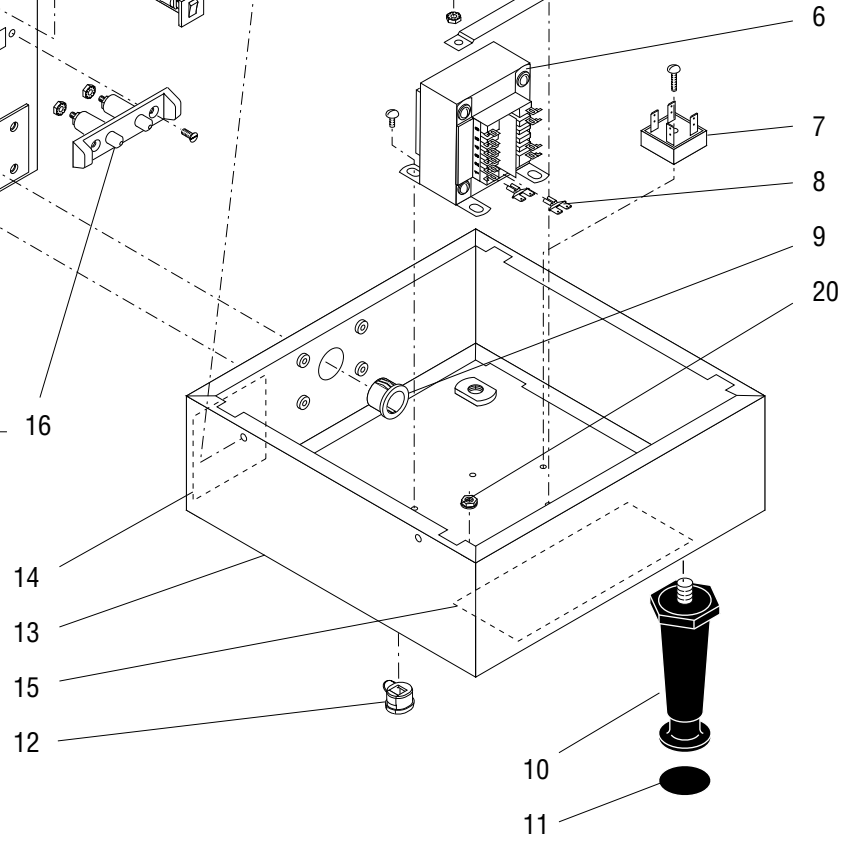
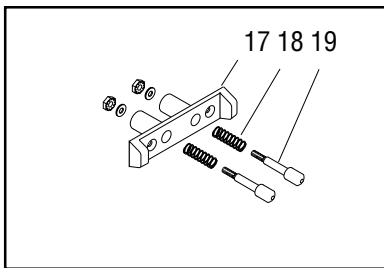
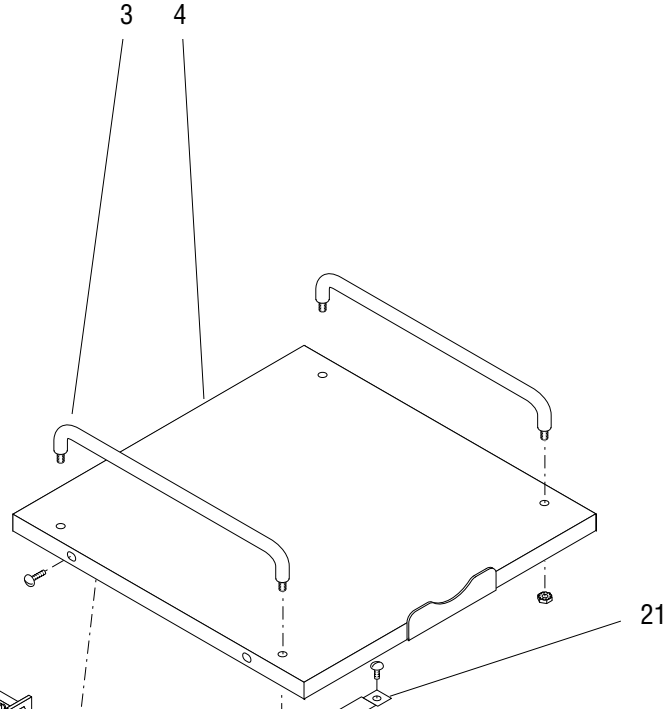
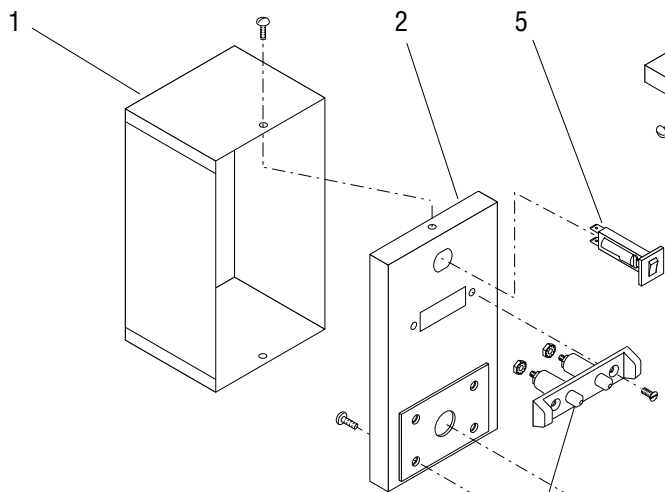
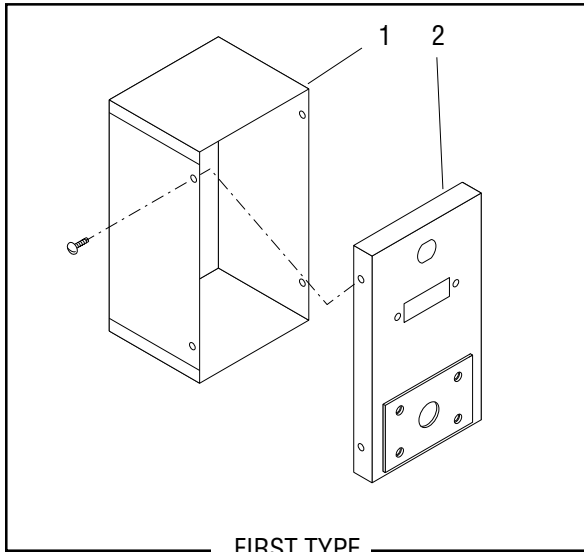
The Buyer shall give Bunn prompt notice of any claim to be made under this warranty by telephone at (217) 529-6601 or by writing to Post Office Box 3227, Springfield, Illinois, 62708-3227. If requested by Bunn, the Buyer shall ship the defective equipment prepaid to an authorized Bunn service location. If Bunn determines, in its sole discretion, that the equipment does not conform to the warranty, Bunn shall repair the equipment with no charge for parts during the warranty period and no charge for labor by a Bunn Authorized Service Representative during the warranty period. If Bunn determines that repair is not feasible, Bunn shall, at its sole option, replace the equipment or refund the purchase price for the equipment.

THE BUYER'S REMEDY AGAINST BUNN FOR THE BREACH OF ANY OBLIGATION ARISING OUT OF THE SALE OF THIS EQUIPMENT, WHETHER DERIVED FROM WARRANTY OR OTHERWISE, SHALL BE LIMITED, AS SPECIFIED HEREIN, TO REPAIR OR, AT BUNN'S SOLE OPTION, REPLACEMENT OR REFUND.

In no event shall Bunn be liable for any other damage or loss, including, but not limited to, lost profits, lost sales, loss of use of equipment, claims of Buyer's customers, cost of capital, cost of down time, cost of substitute equipment, facilities or services, or any other special, incidental or consequential damages.

TABLE OF CONTENTS

1 SH Server Stand	4
2 SH Server Stand	8
Numerical Index.....	12

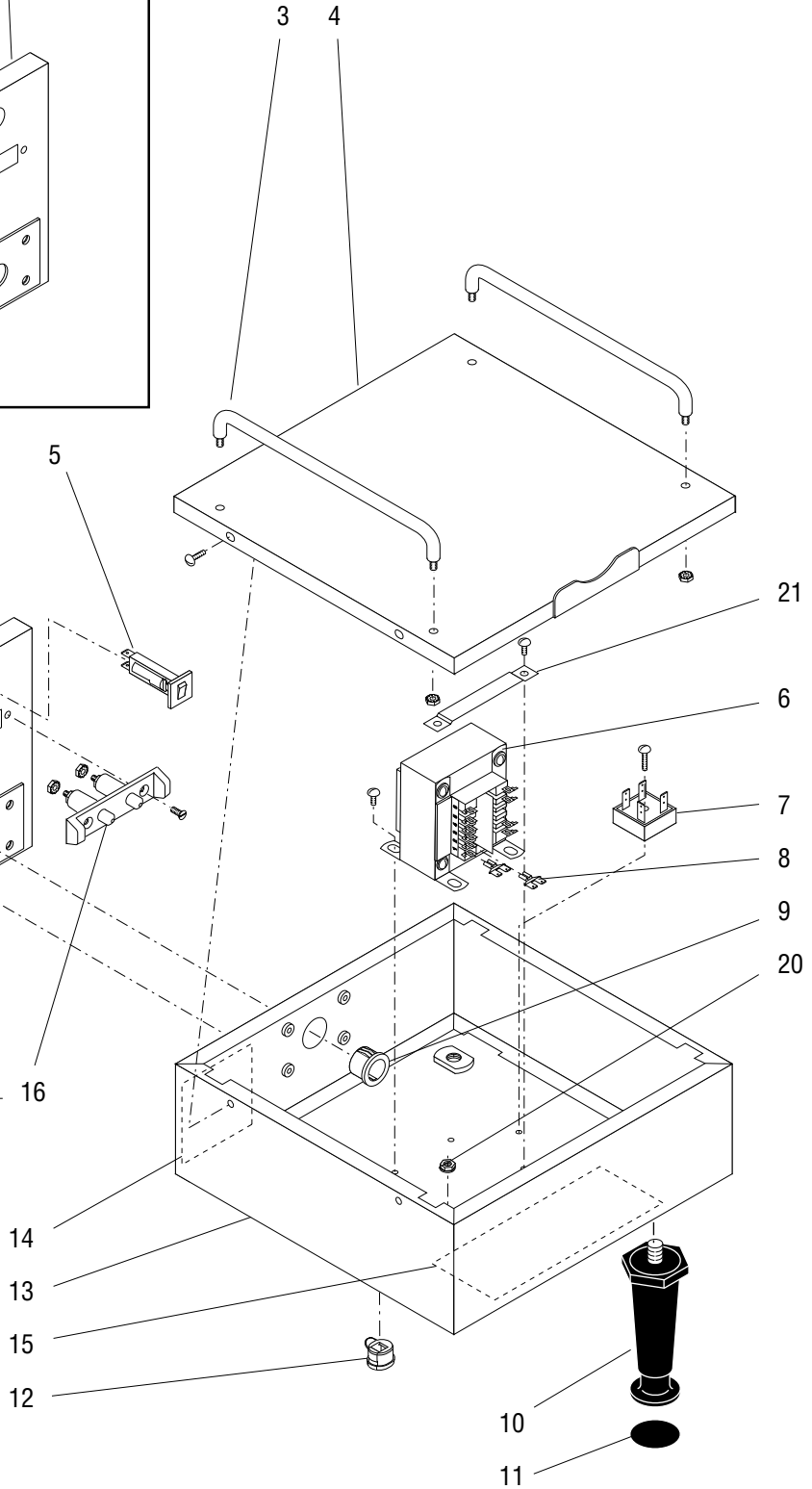
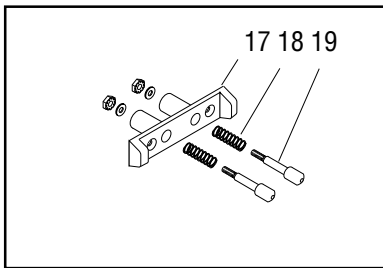
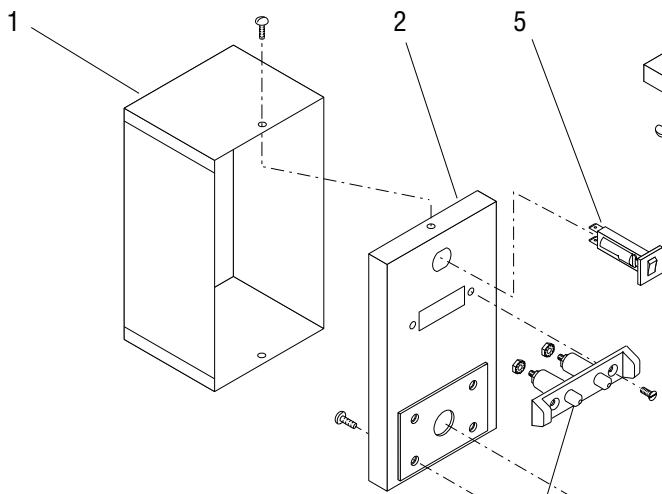
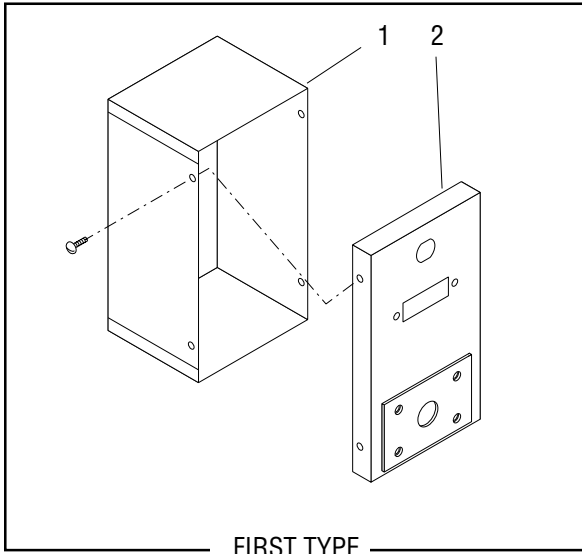


1 SH SERVER STAND COMPONENTS

ITEM	PART NO.	QTY.	DESCRIPTION
1	-----	1	Cover, Receptacle (SST) (First Type. Not available order second type and item 2)
	27775.0001	1	Cover, Receptacle (SST) (Second Type)
	27775.0002	1	Cover, Receptacle (Black)
	01382.0000	2	Screw, Truss Head SST #6-32 x .375"
	01382.0002	2	Screw, Truss Head Black #6-32 x .375"
2	-----	1	Bracket, Receptacle (SST) (First Type. Not available order second type and item 1)
	27774.0001	1	Bracket, Receptacle (SST) (Second Type.)
	27774.0002	1	Bracket, Receptacle (Black)
	01382.0003	4	Screw, Truss Head Locking #6-32 x .375"
	01382.0002	2	Screw, Truss Head Black #6-32 x .375"
3	12249.0001	2	Rail, Guide (SST)
	12249.0007	2	Rail, Guide (Black)
	00970.0000	4	Nut, Keps #8-32
4	27776.0000	1	Cover, Stand (SST)
	27776.0001	1	Cover, Stand (Black)
	01382.0000	4	Screw, Truss Head Locking #6-32 x .375"
	01382.0002	4	Screw, Truss Head Black #6-32 x .375"
5	27181.0001	1	Circuit Breaker, 4 amp
6	27253.0001	1	Transformer, 80 VA 115/230V-24V
	29179.0000	1	Transformer W/Fuse, 115/230V-24V
	01382.0000	2	Screw, Truss Head #6-32 x .375"
	00973.0000	2	Nut , Keps #6-32 (Prior to Serial #SSTF002813 only)
7	22126.0000	1	Rectifier
	02367.0000	1	Screw, Truss Head #6-32 x .625"
8	26722.0000	2	Adapter, Spade
9	07070.0000	1	Bushing, Snap (.687" Dia. hole)
	01663.0000	1	Bushing, Snap (.875" Dia. hole)
10	26528.0000	4	Leg, 4" Adjustable Black Plastic (See item 22)
11	03996.0000	4	Pad, Rubber 1.25" Dia (See item 22)
12	01686.0000	1	Bushing, Strain Relief
13	28154.0000	1	Housing W/Decals, Stand (Includes items 14 & 15)
14	00986.0000	1	Decal, Warning - Electrical
15	27789.0000	1	Schematic, Electrical (120V only)
16	27790.1000	1	Receptacle Assembly, Spring Contact (Includes item 17, 18 & 19)
	20608.0000	2	Screw, Flat Head #6-32 x .375" SST Black
	00973.0000	2	Nut , Keps #6-32
17	27746.0000	1	Housing, Spring Contact
18	27788.0000	2	Spring
19	27748.0000	2	Pin, Contact
	01521.0000	2	Washer, Flat
	00973.0000	2	Nut, Keps #6-32
20	00971.0000	1	Nut, Keps #10-32 - Cord Ground

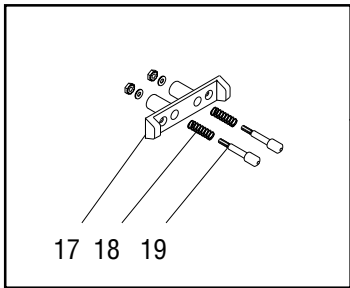
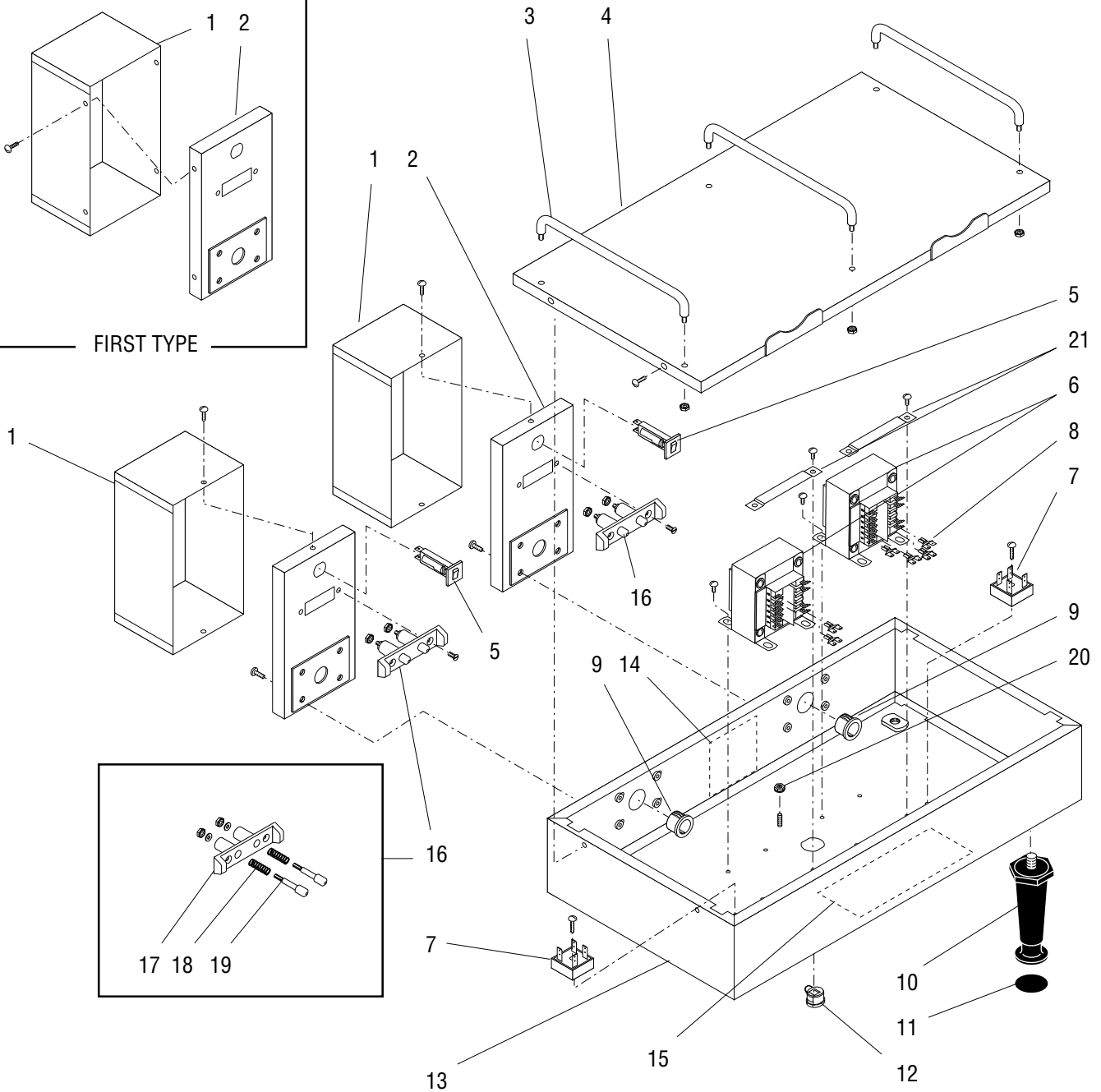
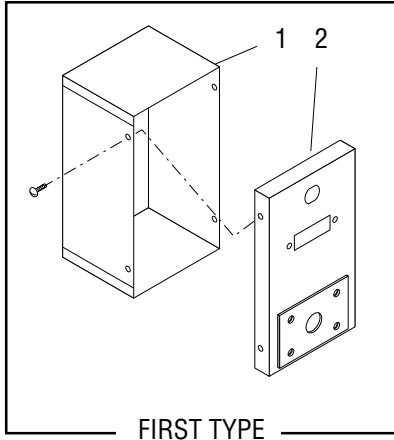
(Continued)

(Continued)



1 SH SERVER STAND COMPONENTS

ITEM	PART NO.	QTY.	DESCRIPTION
21	28264.0000	1	Strap, Transformer Hold Down
	01382.0000	2	Screw, Truss Head #6-32 x .375" } Serial #SSTF002813 and up
22	13255.0003	1	Kit, Leg 4" Adjustable Black Plastic (Includes four legs and pads)
23	20630.0003	1	Cord, Power 18/3 (Not Illustrated) (120V)
	27728.0003	1	Cord, Power 18/3 (Not Illustrated)(230V)
24	27791.0000	1	Wiring Harness, Server Contacts (Not Illustrated)(120V)
	27791.0003	1	Wiring Harness, Server Contacts (Not Illustrated)(230V)

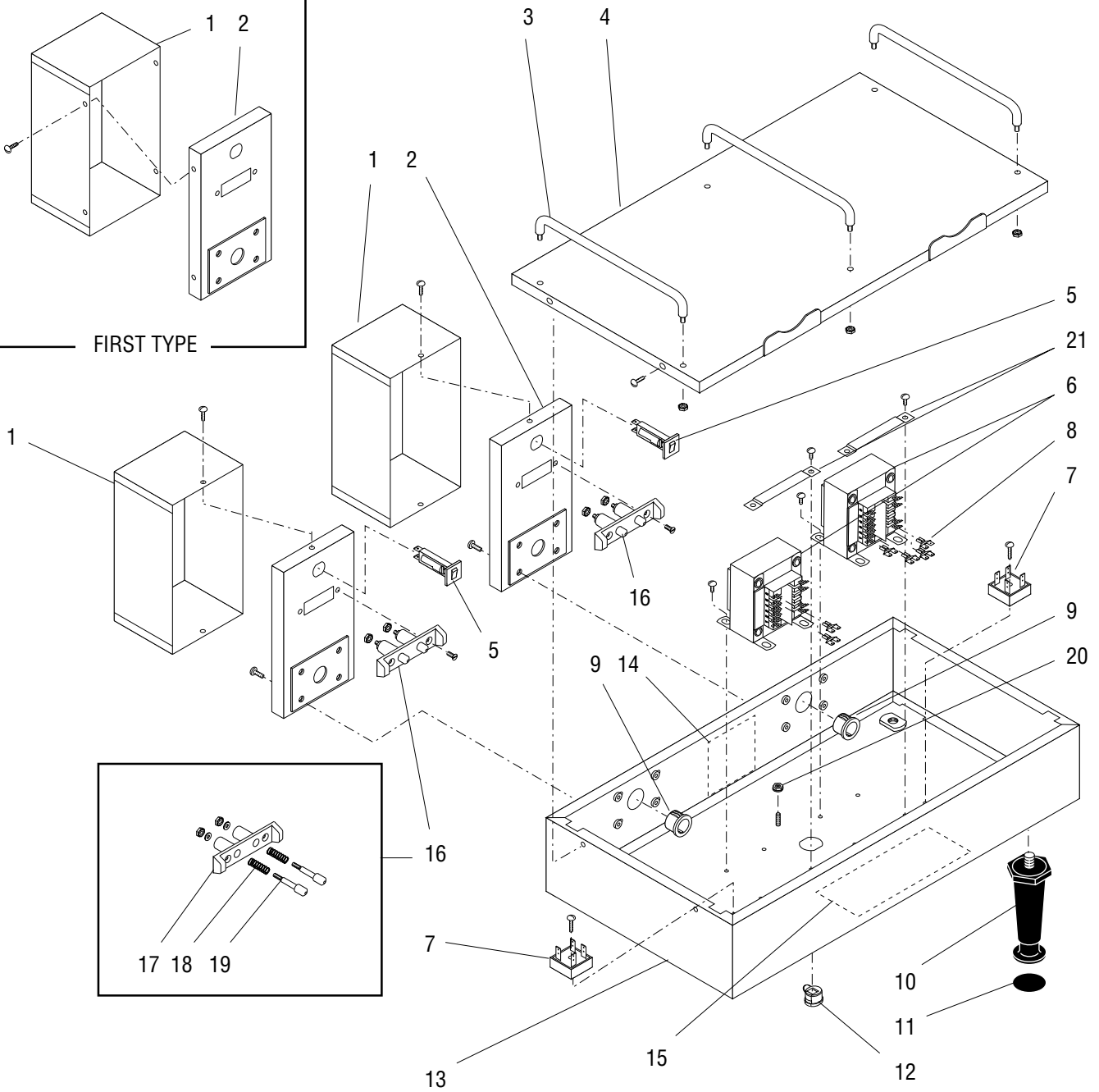
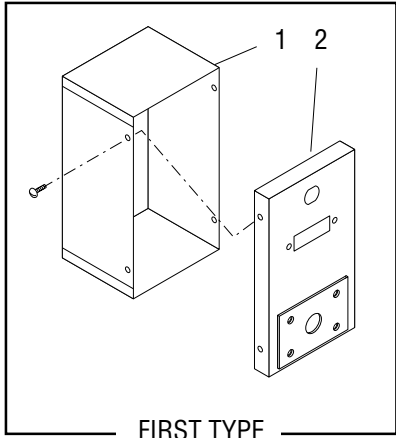


2 SH SERVER STAND COMPONENTS

ITEM	PART NO.	QTY.	DESCRIPTION
1	-----	2	Cover, Receptacle (SST) (First Type. Not available order second type and item 2)
	27775.0001	2	Cover, Receptacle (SST) (Second Type)
	27775.0002	2	Cover, Receptacle (Black)
	01382.0000	4	Screw, Truss Head SST #6-32 x .375"
	01382.0002	4	Screw, Truss Head Black #6-32 x .375"
2	-----	2	Bracket, Receptacle (SST) (First Type. Not available order second type and item 1)
	27774.0001	2	Bracket, Receptacle (SST) (Second Type.)
	27774.0002	2	Bracket, Receptacle (Black)
	01382.0003	8	Screw, Truss Head Locking #6-32 x .375"
	01382.0002	8	Screw, Truss Head Black #6-32 x .375"
3	12249.0001	3	Rail, Guide (SST)
	12249.0007	3	Rail, Guide (Black)
	00970.0000	6	Nut, Keps #8-32
4	27767.0000	1	Cover, Stand (SST)
	27767.0001	1	Cover, Stand (Black)
	01382.0003	4	Screw, Truss Head Locking #6-32 x .375"
	01382.0002	4	Screw, Truss Head Black #6-32 x .375"
5	27181.0001	2	Circuit Breaker, 4 amp
6	27253.0001	1	Transformer, 80 VA 115/230V-24V
	29179.0000	1	Transformer W/Fuse, 115/230V-24V
	01382.0000	4	Screw, Truss Head #6-32 x .375"
	00973.0000	2	Nut , Keps #6-32 (Prior to Serial #SSTF003327 only)
7	22126.0000	2	Rectifier
	02367.0000	2	Screw, Truss Head #6-32 x .625"
8	26722.0000	6	Adapter, Spade
9	07070.0000	2	Bushing, Snap (.687" Dia. hole)
	01663.0000	2	Bushing, Snap (.875" Dia. hole)
10	26528.0000	4	Leg, 4" Adjustable Black Plastic (See item 22)
11	03996.0000	4	Pad, Rubber 1.25" Dia (See item 22)
12	01686.0000	1	Bushing, Strain Relief
13	28155.0000	1	Housing W/Decals, Stand (Includes items 14 & 15)
14	00986.0000	1	Decal, Warning - Electrical
15	27793.0000	1	Schematic, Electrical (120V only)
16	27790.1000	2	Receptacle Assembly, Spring Contact (Includes item 17, 18 & 19)
	20608.0000	4	Screw, Flat Head #6-32 x .375" SST Black
	00973.0000	4	Nut, Keps #6-32 - Zinc Pl
17	27746.0000	1	Housing, Spring Contact
18	27788.0000	2	Spring
19	27748.0000	2	Pin, Contact
	01521.0000	2	Washer, Flat
	00973.0000	2	Nut, Keps #6-32 Zinc Pl
20	00971.0000	1	Nut, Keps #10-32 Zinc Pl - Cord Ground
21	28264.0000	2	Strap, Transformer Hold Down
	01382.0000	4	Screw, Truss Head #6-32 x .375" } Serial #SSTF003327 and up

(Continued)

(Continued)



2 SH SERVER STAND COMPONENTS

ITEM	PART NO.	QTY.	DESCRIPTION
22	13255.0003	1	Kit, Leg 4" Adjustable Black Plastic (Includes four legs and pads)
23	20630.0003	1	Cord, Power 18/3 (Not Illustrated)(120V)
	27728.0003	1	Cord, Power 18/3 (Not Illustrated)(230V)
24	27791.0000	2	Wiring Harness, Server Contacts (Not Illustrated)(120V)
	27791.0003	2	Wiring Harness, Server Contacts (Not Illustrated)(230V)
25	27794.0000	1	Wiring Harness, Transformer (Not illustrated)(120V)
	27794.0001	1	Wiring Harness, Transformer (Not illustrated)(230V)

NUMERICAL INDEX

PART NO.	PAGE NO.	PART NO.	PAGE NO.	PART NO.	PAGE NO.	PART NO.	PAGE NO.
00970.0000	5,9						
00971.0000	5,9						
00973.0000	5,9						
00986.0000	5,9						
01382.0000	5,7,9						
01382.0002	5,9						
01382.0003	5,9						
01521.0000	5,9						
01663.0000	5,9						
01686.0000	5,9						
02367.0000	5,9						
03996.0000	5,9						
07070.0000	5,9						
12249.0001	5,9						
12249.0007	5,9						
13255.0003	7,11						
20608.0000	5,9						
20630.0003	7,11						
22126.0000	5,9						
26528.0000	5,9						
26722.0000	5,9						
27181.0001	5,9						
27253.0001	5,9						
27728.0003	7,11						
27746.0000	5,9						
27748.0000	5,9						
27767.0000	9						
27767.0001	9						
27774.0001	5,9						
27774.0002	5,9						
27775.0001	5,9						
27775.0002	5,9						
27776.0000	5						
27776.0001	5						
27788.0000	5,9						
27789.0000	5						
27790.1000	5,9						
27791.0000	5,9						
27791.0003	5,9						
27793.0000	9						
27794.0000	11						
27794.0001	11						
28154.0000	5						
28155.0000	9						
28264.0000	5,9						
29179.0000	5,9						